



# POWERSPORTS BATTERY High Performance 12-Volt Conventional Battery Series

## HCB16A-A 12V 16AH(10HR)

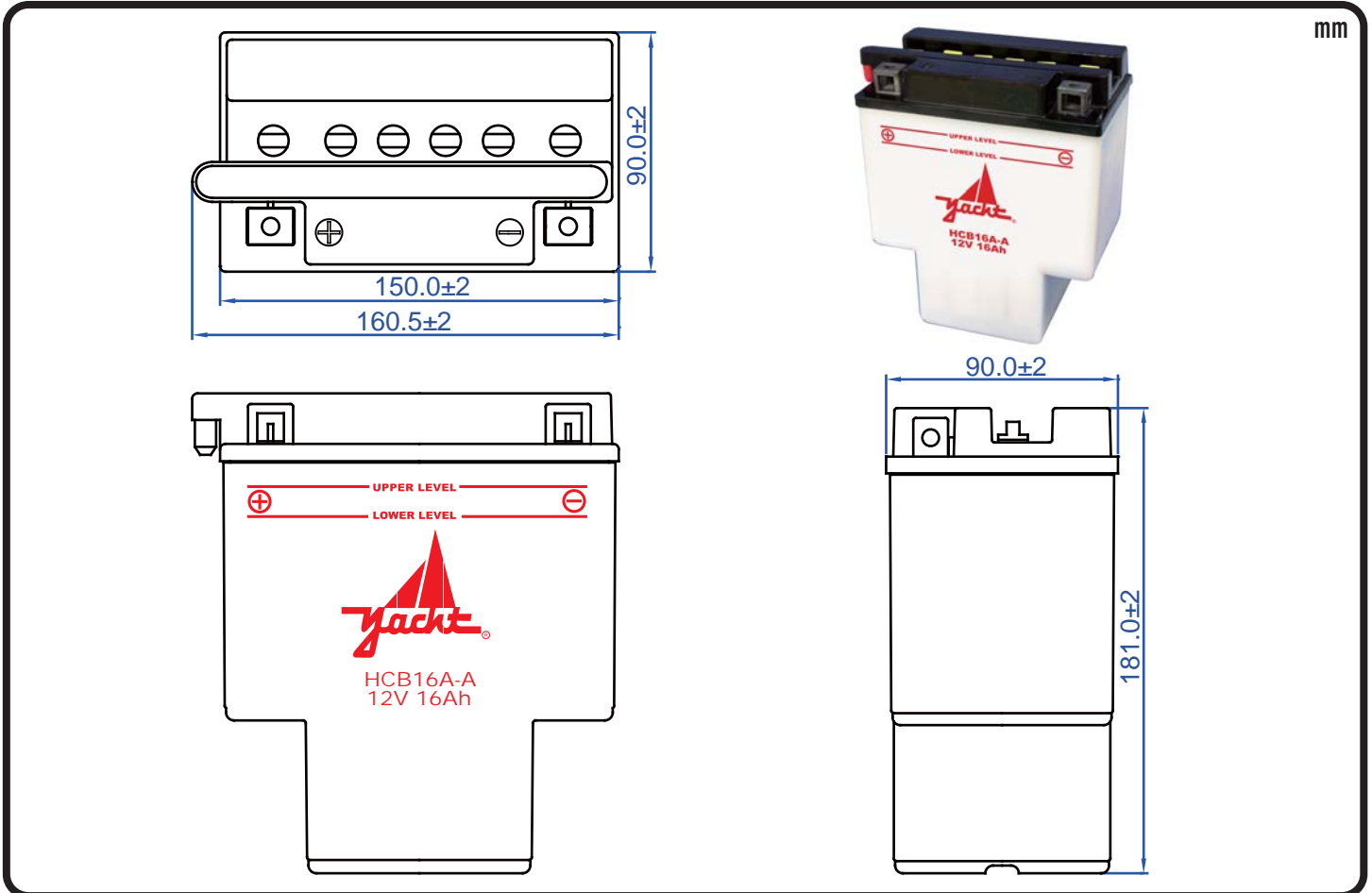


JIS  
D5302

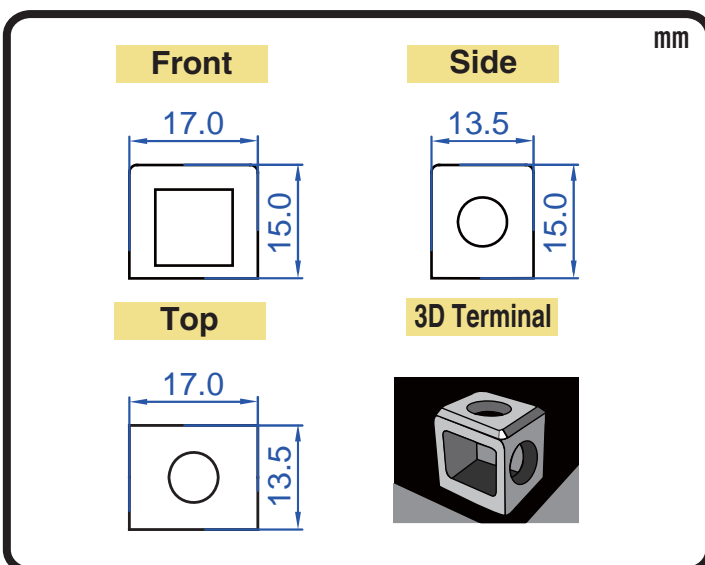
### Specification

BATTERY TYPE NUMBER	VOLTAGE (V)	CAPACITY AH (10HR)	MAXIMUM DIMENSIONS						WEIGHT			
			MILLIMETERS (±2 mm)			INCHES (±1/16 in)			BATTERY ONLY		INCLUDE ACID AND PACKAGE	
			L	W	H	L	W	H	Kg	Lbs	Kg	Lbs
HCB16A-A	12	16	150	90	181	5 7/8	3 9/16	7 1/8	3.90	8.59	6.08	13.39

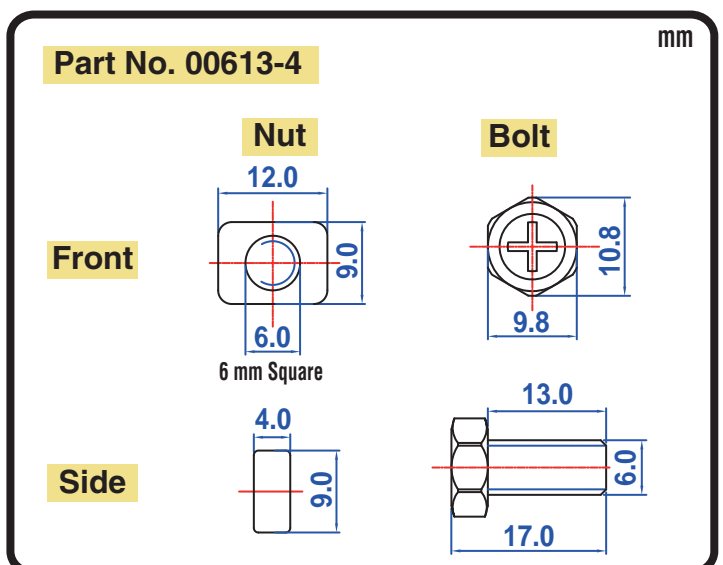
### Dimension



### Terminal Configuration



### Nut & Bolt Hardware Kits



**CORPORATE HEADQUARTERS (TAICHUNG, TAIWAN)**  
 4F-5, No. 925, Sec. 4, Taiwan Blvd., Taichung, 40767 Taiwan, R.O.C.  
 Tel : 886-4-2358-0578 Fax : 886-4-2358-0059  
 sales@yacht-battery.com

**YACHT BATTERY USA, INC.**  
 Tel : 1-610-689-0443 Fax : 1-888-373-6466  
 Dave.Beidler@yacht-battery.com  
 Bruce.Ash@yacht-battery.com