



POWERSPORTS BATTERY High Performance 12-Volt Conventional Battery Series

CB9L-B 12V 9AH(10HR)

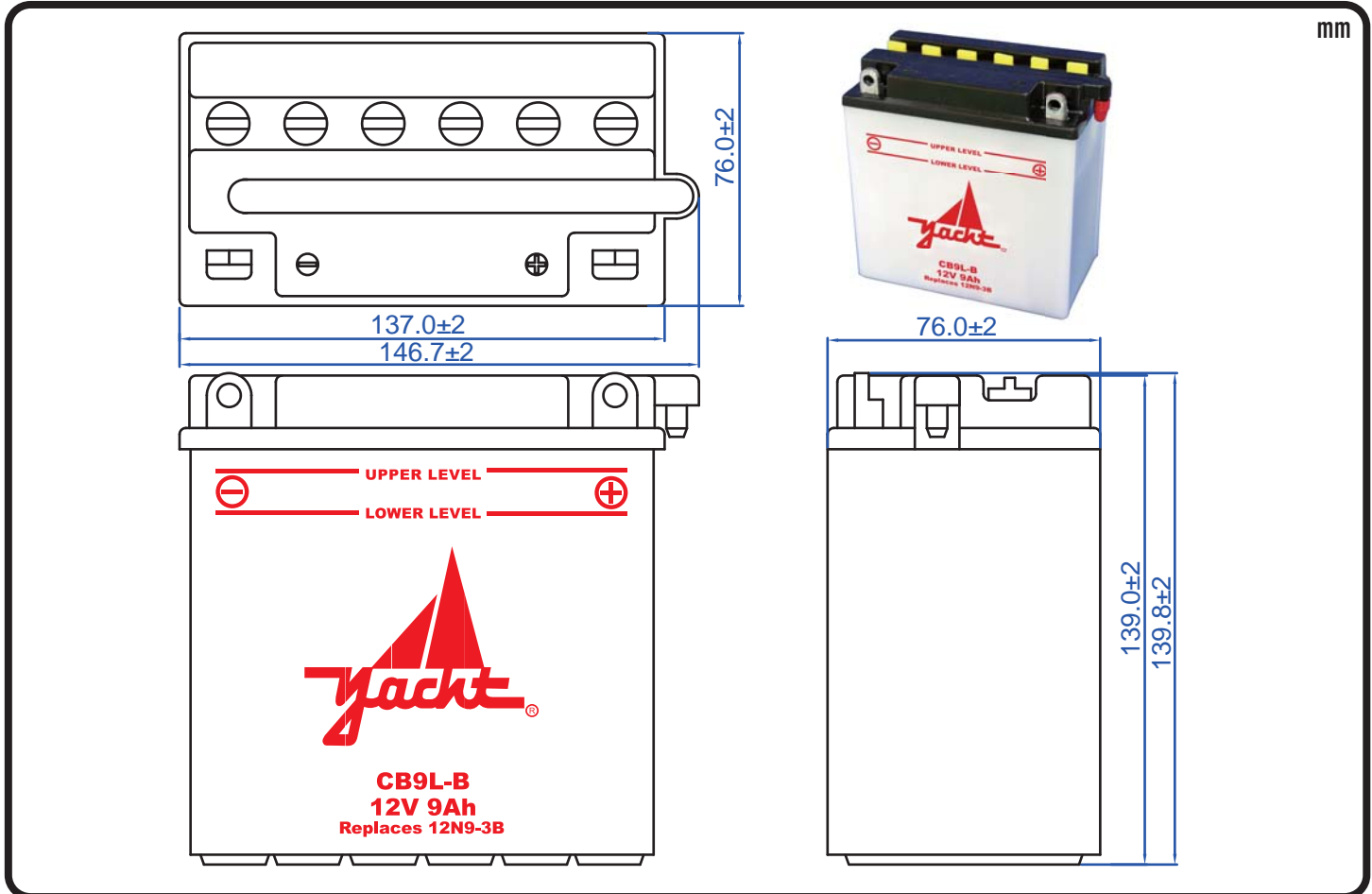


JIS
D5302

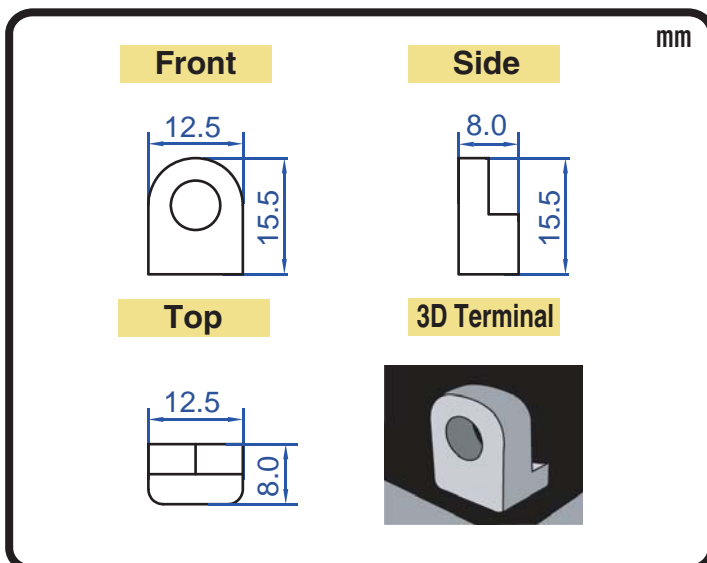
Specification

| BATTERY TYPE NUMBER | VOLTAGE (V) | CAPACITY AH (10HR) | MAXIMUM DIMENSIONS | | | | | | WEIGHT | | | |
|---------------------|-------------|--------------------|--------------------|----|-----|-------------------|---|--------|--------------|------|--------------------------|------|
| | | | MILLIMETERS(±2 mm) | | | INCHES (±1/16 in) | | | BATTERY ONLY | | INCLUDE ACID AND PACKAGE | |
| | | | L | W | H | L | W | H | Kg | Lbs | Kg | Lbs |
| CB9L-B | 12 | 9 | 137 | 76 | 139 | 5 3/8 | 3 | 5 7/16 | 2.57 | 5.66 | 3.66 | 8.06 |

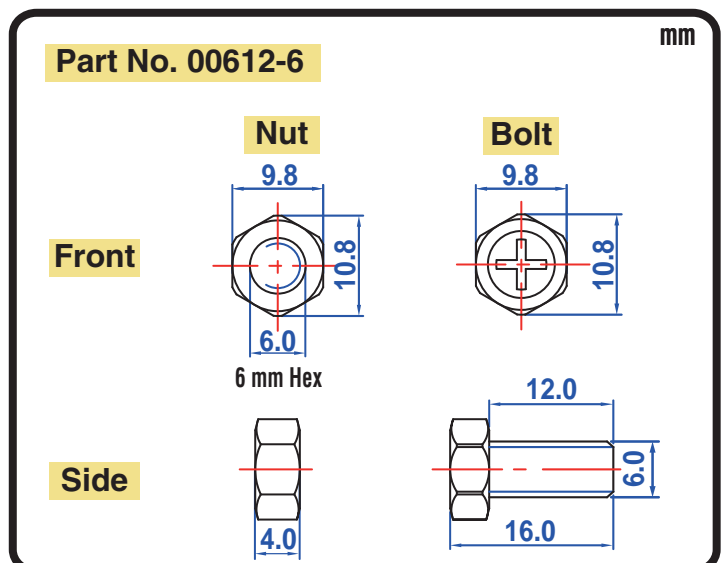
Dimension



Terminal Configuration



Nut & Bolt Hardware Kits



CORPORATE HEADQUARTERS (TAICHUNG, TAIWAN)
 4F-5, No. 925, Sec. 4, Taiwan Blvd., Taichung, 40767 Taiwan, R.O.C.
 Tel : 886-4-2358-0578 Fax : 886-4-2358-0059
 sales@yacht-battery.com

YACHT BATTERY USA, INC.
 Tel : 1-610-689-0443 Fax : 1-888-373-6466
 Dave.Beidler@yacht-battery.com
 Bruce.Ash@yacht-battery.com