



POWERSPORTS BATTERY High Performance 12-Volt Conventional Battery Series

CB3L-A 12V 3AH(10HR)

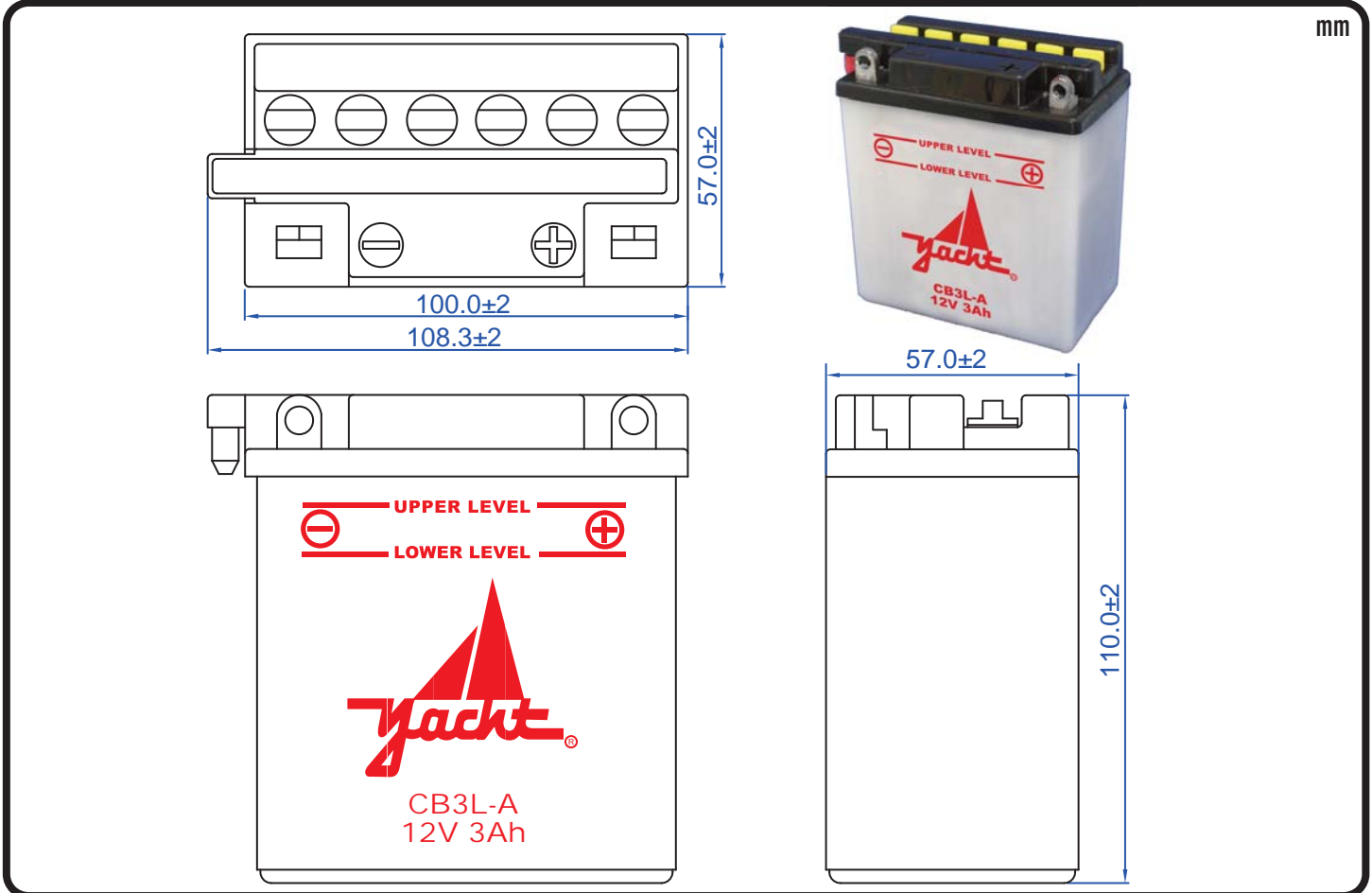


JIS
D5302

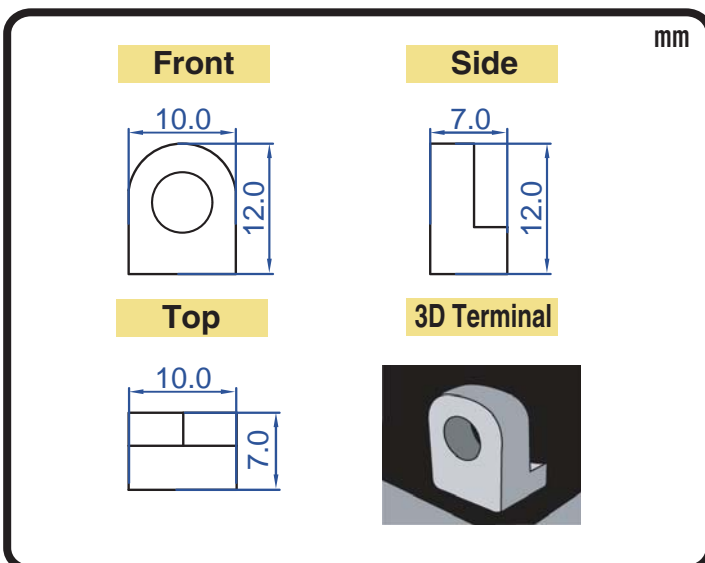
Specification

| BATTERY TYPE NUMBER | VOLTAGE (V) | CAPACITY AH (10HR) | MAXIMUM DIMENSIONS | | | | | | WEIGHT | | | |
|---------------------|-------------|--------------------|--------------------|----|-----|-------------------|-------|--------|--------------|------|--------------------------|------|
| | | | MILLIMETERS(±2 mm) | | | INCHES (±1/16 in) | | | BATTERY ONLY | | INCLUDE ACID AND PACKAGE | |
| | | | L | W | H | L | W | H | Kg | Lbs | Kg | Lbs |
| CB3L-A | 12 | 3 | 100 | 57 | 110 | 3 15/16 | 2 1/4 | 4 5/16 | 1.00 | 2.20 | 1.71 | 3.77 |

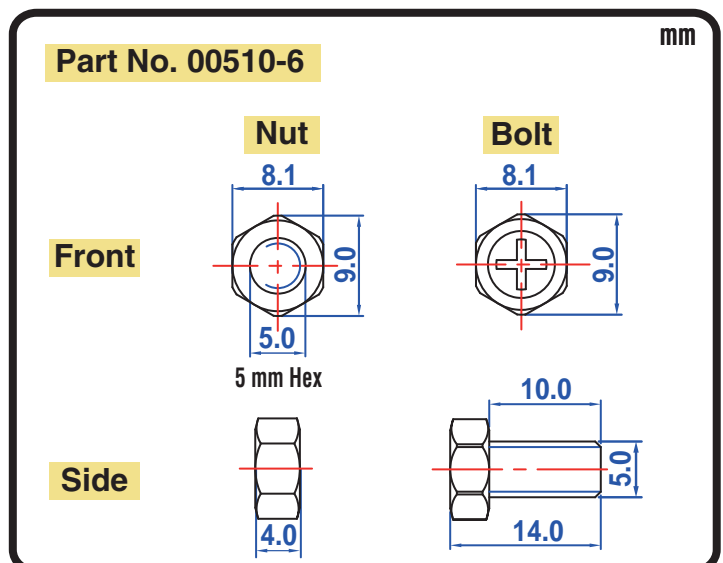
Dimension



Terminal Configuration



Nut & Bolt Hardware Kits



CORPORATE HEADQUARTERS (TAICHUNG, TAIWAN)
 4F-5, No. 925, Sec. 4, Taiwan Blvd., Taichung, 40767 Taiwan, R.O.C.
 Tel : 886-4-2358-0578 Fax : 886-4-2358-0059
 sales@yacht-battery.com

YACHT BATTERY USA, INC.
 Tel : 1-610-689-0443 Fax : 1-888-373-6466
 Dave.Beidler@yacht-battery.com
 Bruce.Ash@yacht-battery.com