



# POWERSPORTS BATTERY High Performance 12-Volt Conventional Battery Series

## CB12AL-A 12V 12AH(10HR)

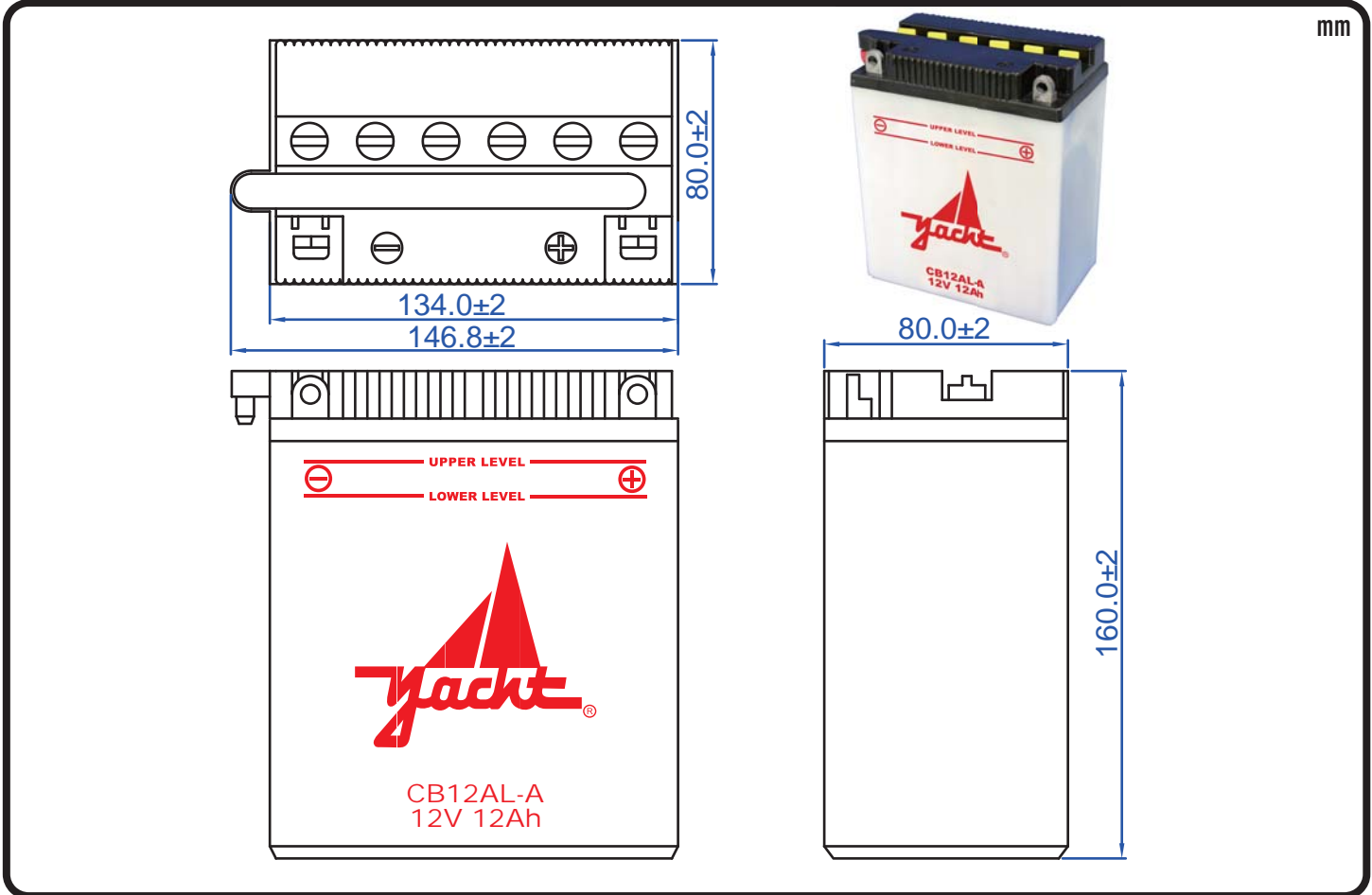


JIS D5302

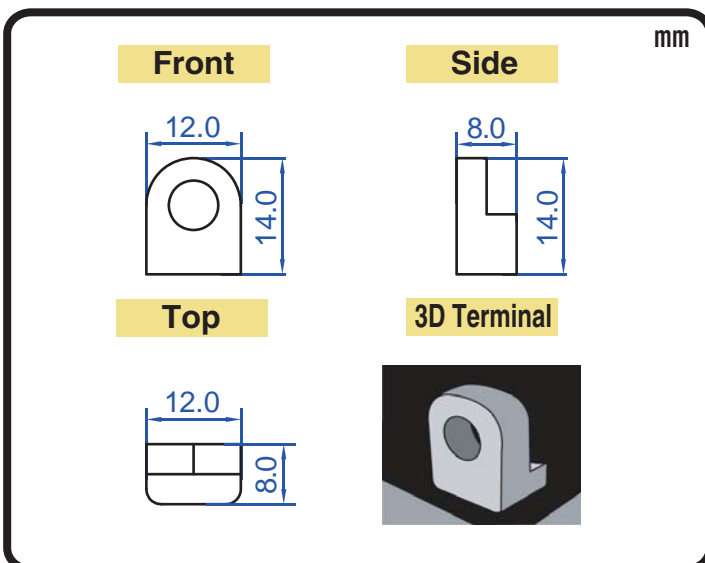
### Specification

| BATTERY TYPE NUMBER | VOLTAGE (V) | CAPACITY AH (10HR) | MAXIMUM DIMENSIONS |    |     |                   |       |        | WEIGHT       |      |                          |      |
|---------------------|-------------|--------------------|--------------------|----|-----|-------------------|-------|--------|--------------|------|--------------------------|------|
|                     |             |                    | MILLIMETERS(±2 mm) |    |     | INCHES (±1/16 in) |       |        | BATTERY ONLY |      | INCLUDE ACID AND PACKAGE |      |
|                     |             |                    | L                  | W  | H   | L                 | W     | H      | Kg           | Lbs  | Kg                       | Lbs  |
| CB12AL-A            | 12          | 12                 | 134                | 80 | 160 | 5 1/4             | 3 1/8 | 6 5/16 | 3.20         | 7.05 | 4.41                     | 9.71 |

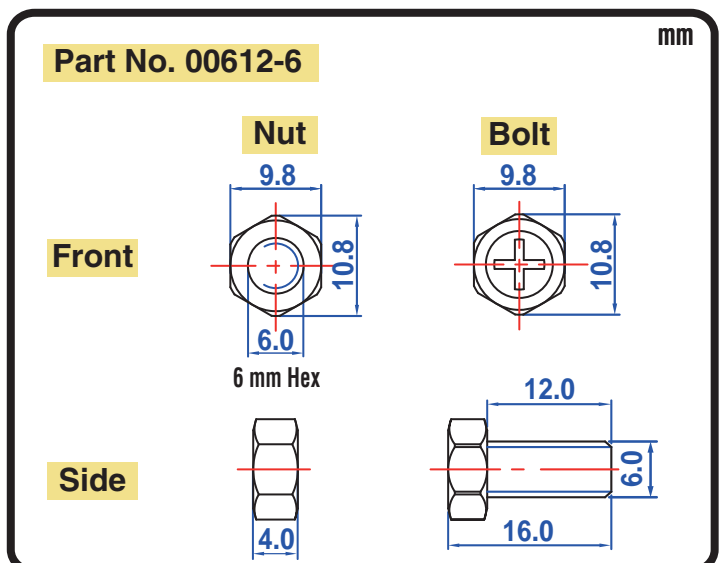
### Dimension



### Terminal Configuration



### Nut & Bolt Hardware Kits



**CORPORATE HEADQUARTERS (TAICHUNG, TAIWAN)**  
 4F-5, No. 925, Sec. 4, Taiwan Blvd., Taichung, 40767 Taiwan, R.O.C.  
 Tel : 886-4-2358-0578 Fax : 886-4-2358-0059  
 sales@yacht-battery.com

**YACHT BATTERY USA, INC.**  
 Tel : 1-610-689-0443 Fax : 1-888-373-6466  
 Dave.Beidler@yacht-battery.com  
 Bruce.Ash@yacht-battery.com