



AUXILIARY BATTERY Factory Activated Sealed Battery Series

AUX14 12V 12AH(10HR) / 13AH(20HR)

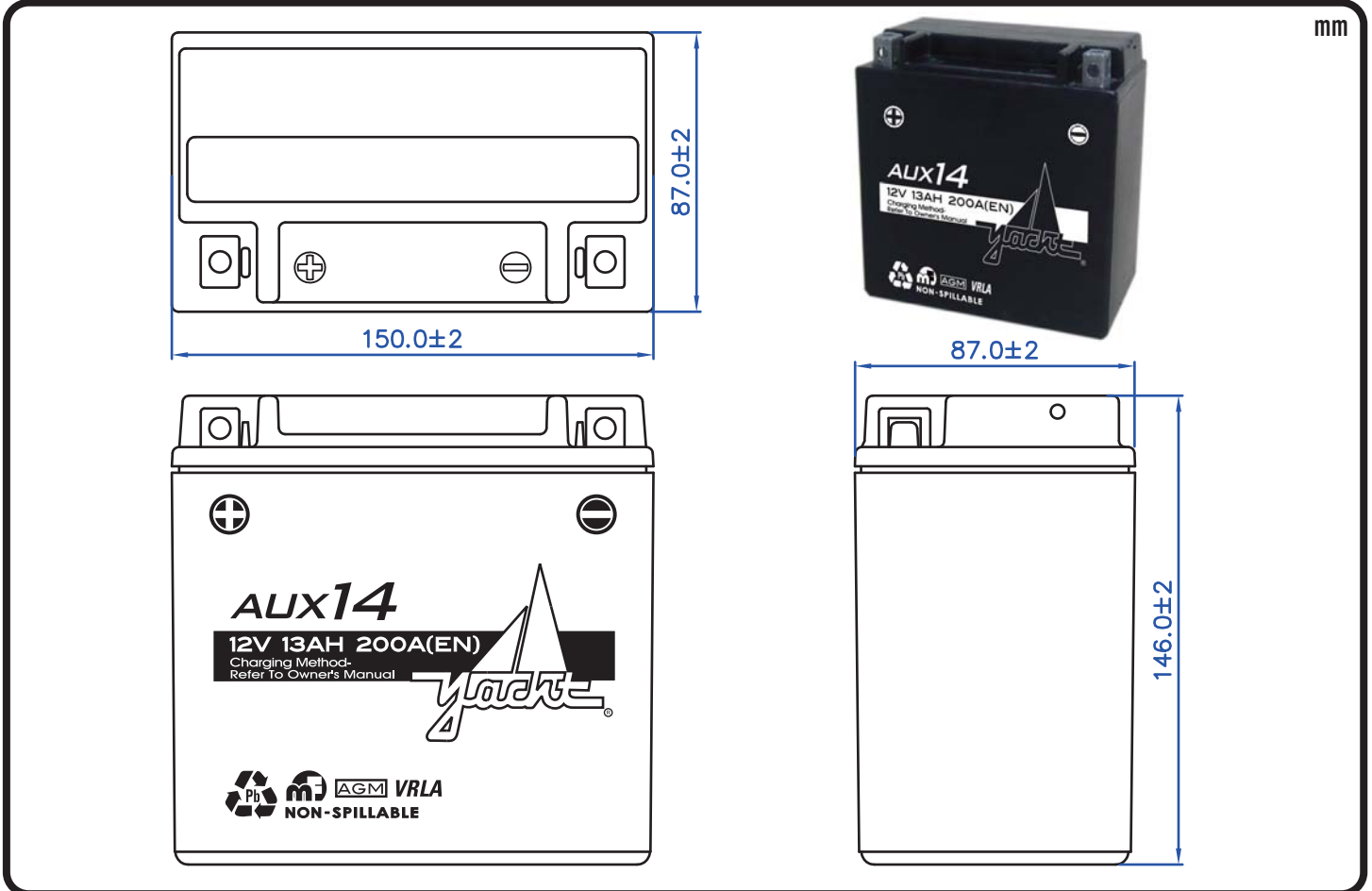


JIS
D5302

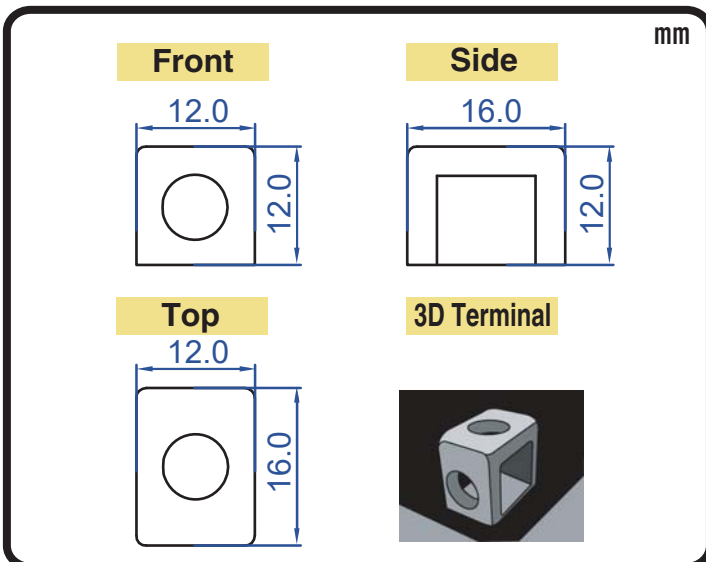
Specification

BATTERY TYPE NUMBER	VOLTAGE (V)	CAPACITY AH		CCA @-18°C	MAXIMUM DIMENSIONS						WEIGHT			
		(10HR)	(20HR)		MILLIMETERS(±2 mm)			INCHES (±1/16 in)			BATTERY WITH ACID		INCLUDE PACKAGE	
					L	W	H	L	W	H	Kg	Lbs	Kg	Lbs
AUX14	12	12	13	200	150	87	146	5 7/8	3 7/16	5 3/4	4.70	10.35	4.81	10.59

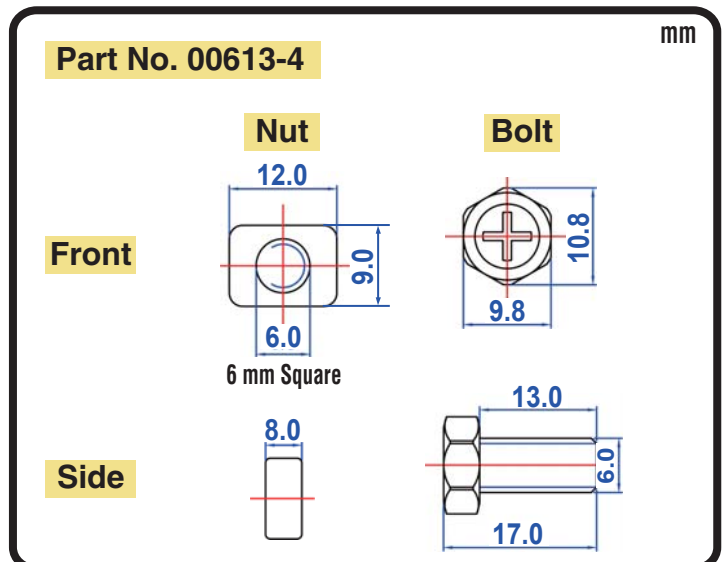
Dimension



Terminal Configuration



Nut & Bolt Hardware Kits



CORPORATE HEADQUARTERS (TAICHUNG, TAIWAN)
 4F-5, No. 925, Sec. 4, Taiwan Blvd., Taichung, 40767 Taiwan, R.O.C.
 Tel : 886-4-2358-0578 Fax : 886-4-2358-0059
 sales@yacht-battery.com

YACHT BATTERY USA, INC.
 Tel : 1-610-689-0443 Fax : 1-888-373-6466
 Dave.Beidler@yacht-battery.com
 Bruce.Ash@yacht-battery.com