



POWERSPORTS BATTERY

6-Volt Conventional Battery Series

6N2-2A-5 6V 2AH(10HR)

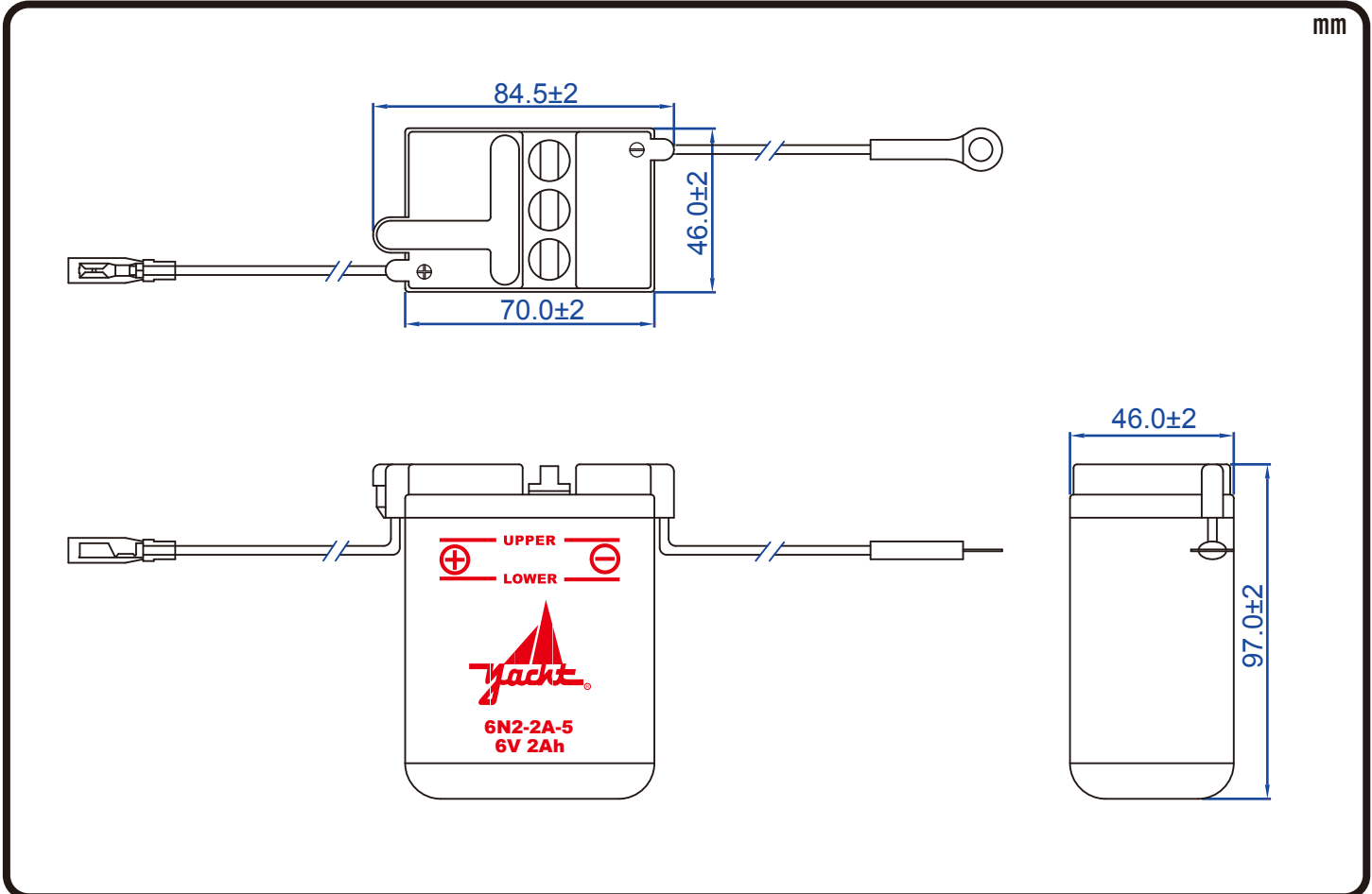


JIS D5302

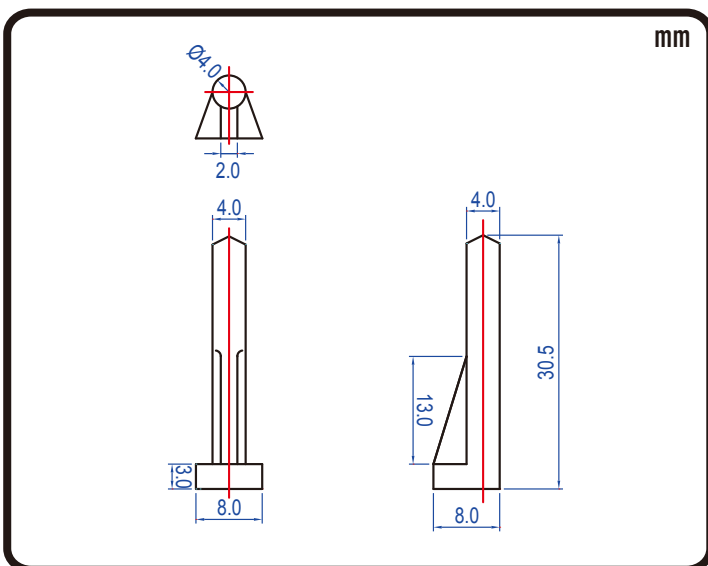
Specification

| BATTERY TYPE NUMBER | VOLTAGE (V) | CAPACITY AH (10HR) | MAXIMUM DIMENSIONS | | | | | | WEIGHT | | | |
|---------------------|-------------|--------------------|--------------------|----|----|-------------------|---------|---------|--------------|------|--------------------------|------|
| | | | MILLIMETERS(±2 mm) | | | INCHES (±1/16 in) | | | BATTERY ONLY | | INCLUDE ACID AND PACKAGE | |
| | | | L | W | H | L | W | H | Kg | Lbs | Kg | Lbs |
| 6N2-2A-5 | 6 | 2 | 70 | 46 | 97 | 2 3/4 | 1 13/16 | 3 13/16 | 0.40 | 0.88 | 0.90 | 1.98 |

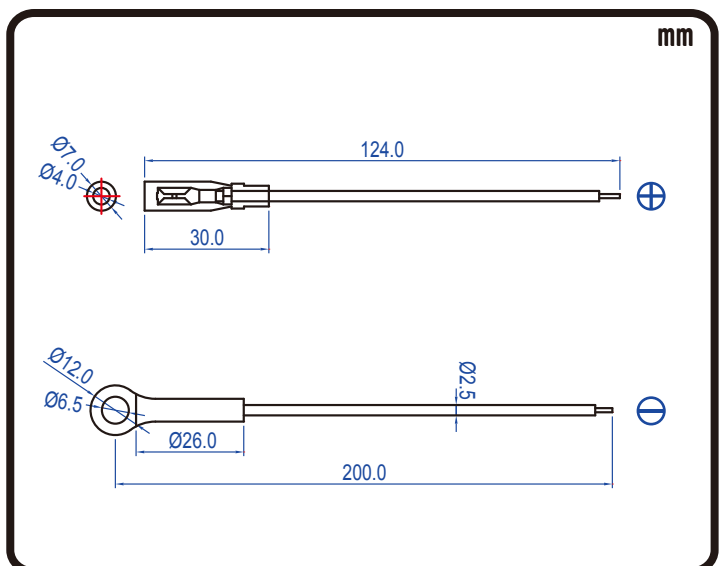
Dimension



Terminal



Wire



CORPORATE HEADQUARTERS (TAICHUNG, TAIWAN)

4F-5, No. 925, Sec. 4, Taiwan Blvd., Taichung, 40767 Taiwan, R.O.C.
Tel : 886-4-2358-0578 Fax : 886-4-2358-0059
sales@yacht-battery.com

YACHT BATTERY USA, INC.

Tel : 1-610-689-0443 Fax : 1-888-373-6466
Dave.Beidler@yacht-battery.com
Bruce.Ash@yacht-battery.com